

Power Specifications

POWER SPECIFICATIONS

Area	Line Voltage & Frequency	Power Consumption
Continental Europe	AC 230 V ~, 50 Hz	10 watts

SPANNUNGSVERSORGUNG UND LEISTUNGS-AUFNAHME

Länder	Netzspannung und Frequenz	Leistungsaufnahme
Kontinental-Europa	230 V ~, 50 Hz	10 Watt

CARACTERISTIQUES TECHNIQUES D'ALIMENTATION

Pays	Tension d'alimentation et fréquence	Consommation
Europe Continentale	CA 230 V ~, 50 Hz	10 Watts

SPANNINGSVEREISTEN

Gebieden	Netspanning en frekwentie	Stroomverbruik
Europese vasteland	Net 230 V ~ 50 Hz	10 Watt

ESPECIFICACIONES DE ALIMENTACION

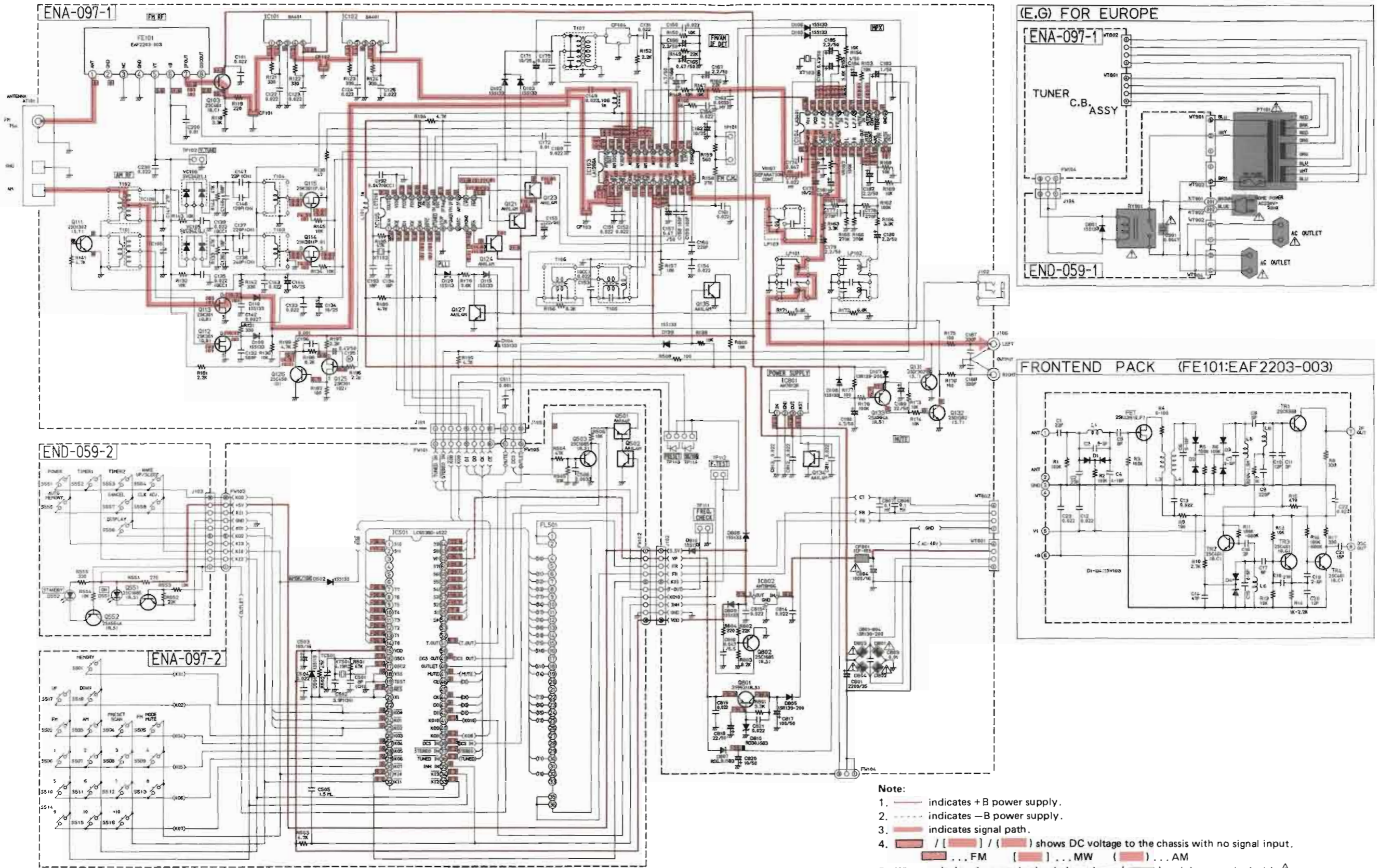
Países	Voltaje y frecuencia	Consumo
Europa Continental	AC 230 V ~, 50 Hz	10 vatios

STRÖMFÖRSÖRJNING

Områden	Nätspänning & frekvens	Effektförbrukning
Kontinentaleuropa	~ 230 V, 50 Hz	10 Watt

Schematic Diagram

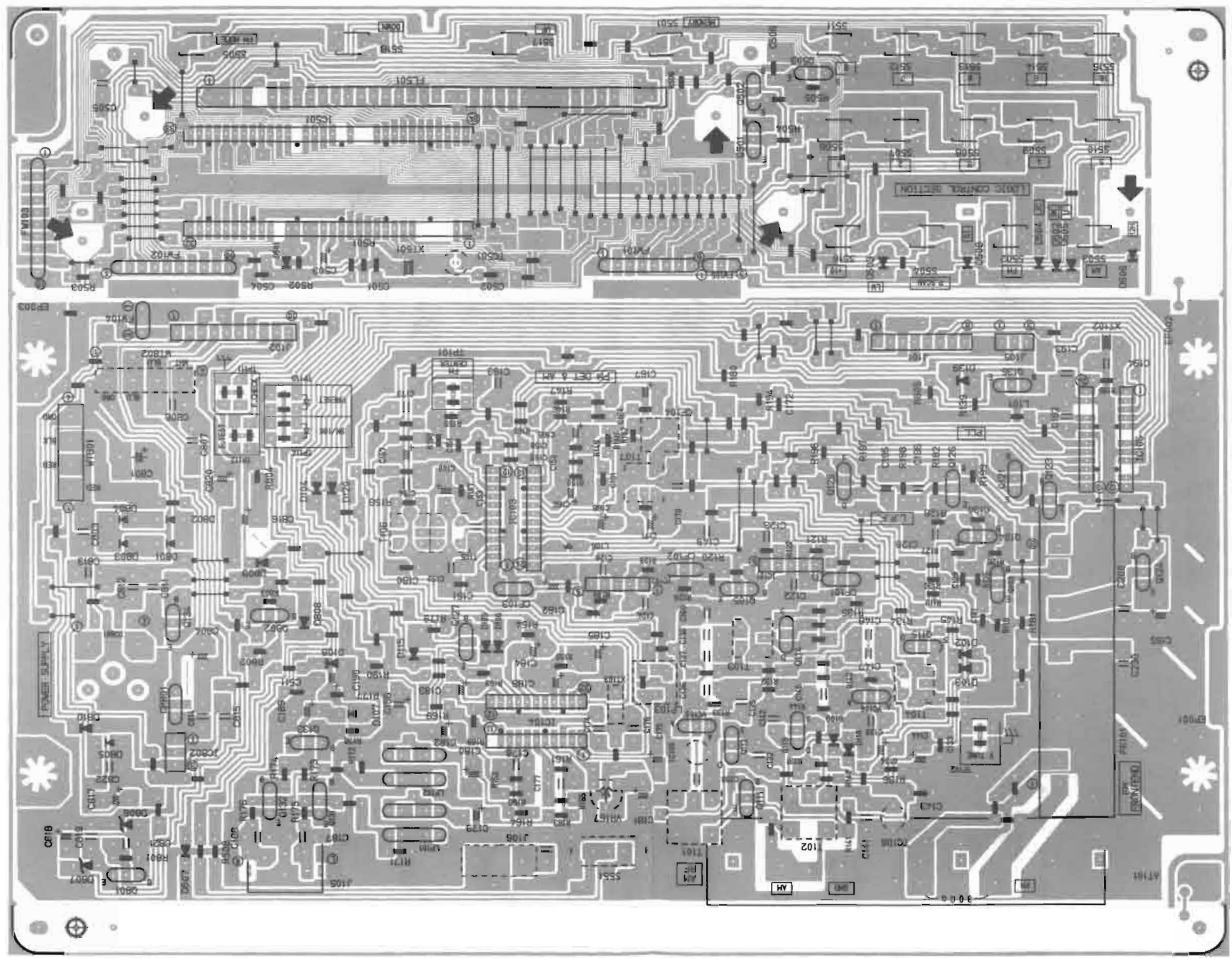
□ : FM NO SIGNAL 98MHz.AUTO
 [] : MW NO SIGNAL
 |) : LW NO SIGNAL



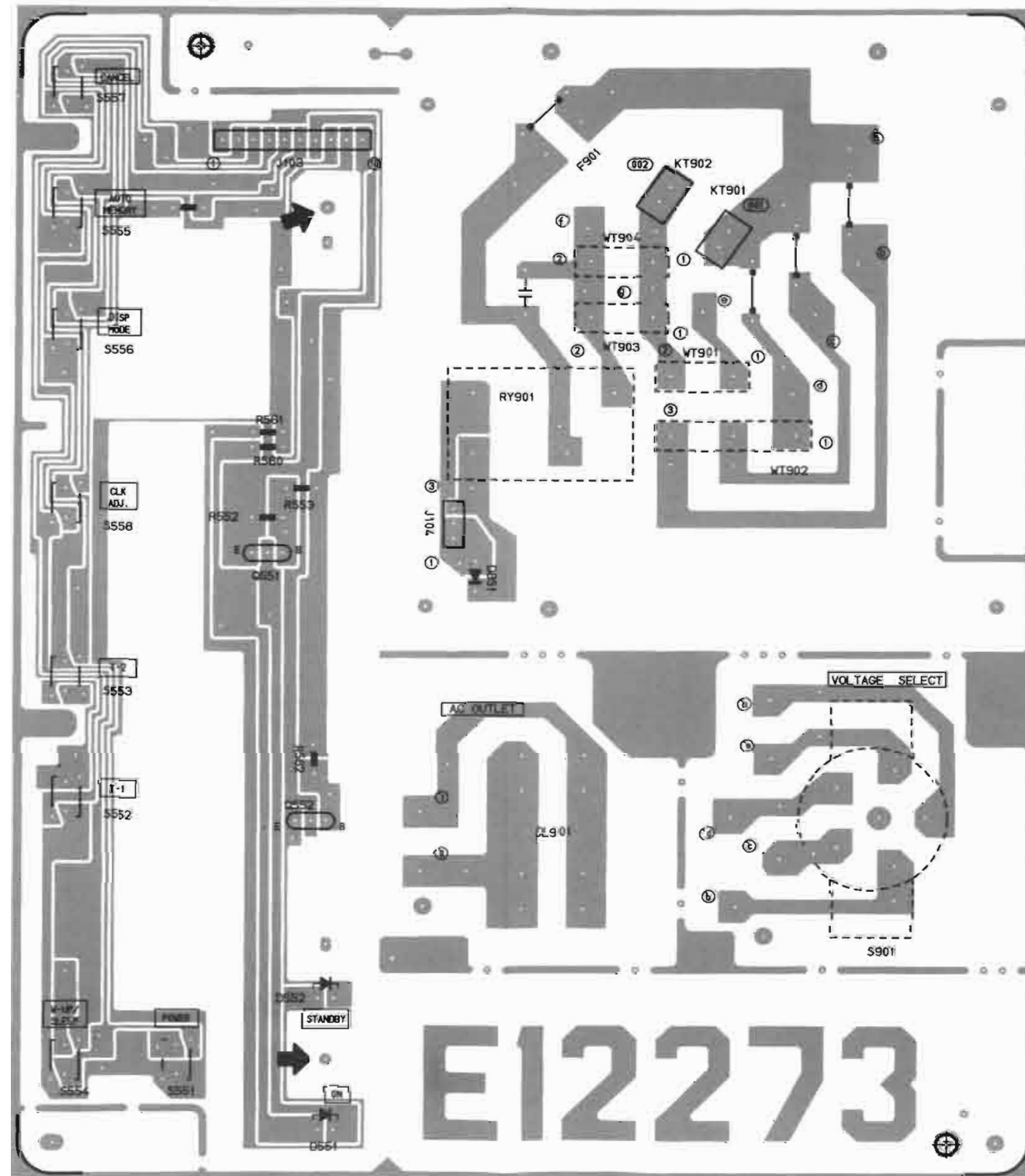
- Note:**
1. — indicates +B power supply.
 2. - - - indicates -B power supply.
 3. — indicates signal path.
 4. [] / [] / [] shows DC voltage to the chassis with no signal input.
 [] ... FM [] ... MW () ... AM
 5. When replacing the parts in the darkened area (■) and those marked with △, be sure to use the designated parts to ensure safety.
 6. This is the standard circuit diagram.
 The design and contents are subject to change without notice.

Printed Circuit Board.

■ Tuner PC Board (ENA-097)



■ Power Primary & Front Switch PC Board (END-059)



PARTS LIST

Contents

General Exploded View and Parts List	2
Printed Circuit Board Ass'y and Parts List	5
■ ENA-097 □ Tuner PC Board Ass'y	5
■ END-059 □ Power Primary & Front Switch PC Board Ass'y	8
Accessories List	9
Packing Materials and Part Numbers	10

General Exploded View and Parts List

■ Parts List

⚠	Item	Part Number	Part Name	Q'ty	Description	Areas
	1	EFP-FX531XLBKE	Front Panel Ass'y	1		
	1-1	E26719-005	Front Panel	1		
	1-2	E26721-001SS	Push Button	1	POWER	
	1-3	E26723-003SS	Push Button	1	PRESET	
	1-4	E306781-001SS	Button Escutcheon	1	POWER	
	1-5	E306782-003SS	Push Button	1	UP DOWN	
	1-6	E306784-001SS	Button Escutcheon	1	PRESET	
	1-7	E306785-001	Window Screen	1		
	1-8	E60912-003	Speed Nut	1		
	1-9	E73522-001	Indicator	1		
	1-10	E75584-007SS	FL Screen	1		
	1-11	E75934-001	Indicator	1		
	1-12	E72968-001	JVC Mark	1		
	2	SBSG3008M	Screw	12		
	3	E48729-009	Plastic Rivet	2		
	4	EXO050005N40S02	Felt Spacer	3		
	5	SDSF2608Z	Screw	7		
	6	E26728-001	Metal Cover	1		
	7	E61660-004	Special Screw	4	for Metal Cover (Side)	
	8	E75931-001SS	Bracket	2		
	9	E306788-001SS	Side Bracket	1	Right	
	10	SBSG3008N	Screw	21		
	11	E306791-001SS	Circuit Board Bracket	1		
	12	E26725-001SS	Bottom Plate	1		
	13	E406379-002SS	Foot Ass'y	4		
	14	SBST3008N	Screw	4	for Foot Ass'y	
	15	E70115-002	Caution Label	1		
	16	E306787-001SS	Side Bracket	1	Left	
⚠	17	E406228-001	Spacer	2		LG
	18	ETP1000-72EAJ	Power Transformer	1		
	19	E65389-002	Special Screw	2		Except LG
	20	E65389-005	Special Screw	2		LG
	21	E306789-001SS	Center Bracket	1		
	22	E303843-001	Wire Clamp	1		
	22	E26726-017SS	Rear Panel	1		
	—	E303260-233	Rating Label	1		LE, LEF
	23	E73562-003	Special Screw	1		
⚠	24	EMC0236-001	AC Socket	1		
⚠	25	QHS3876-162	Cord Stopper	1		
⚠	26	QMP3900-200	Power Cord	1		
	—	E61029-005	Number Label	1		LE
	—	E70027-001	Approval Label	1		

The Marks for Designated Areas

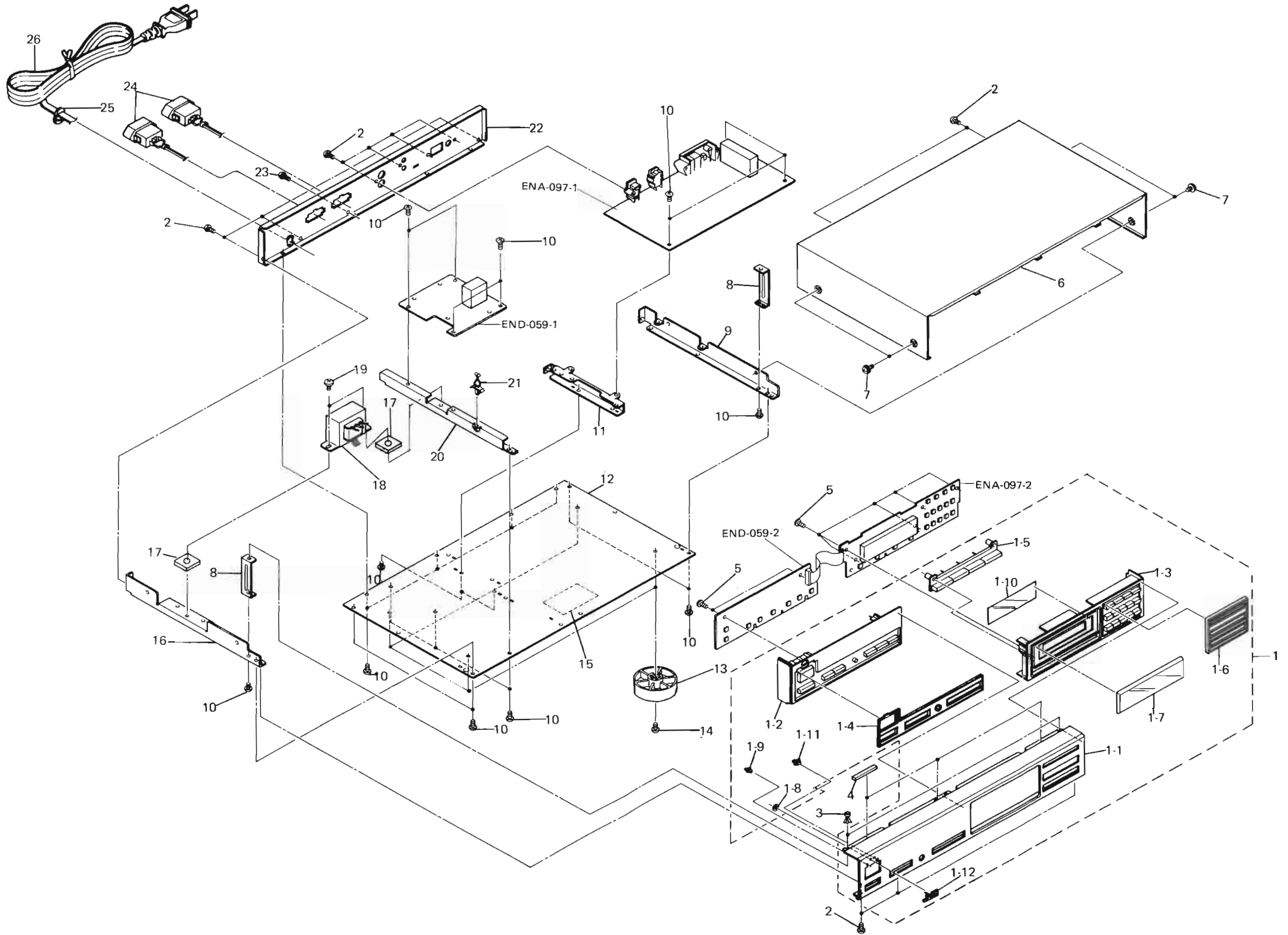
LE,LEF.....Continental Europe (with LW)

LG.....Germany (with LW)

No mark indicates all areas.

⚠ Safety Parts

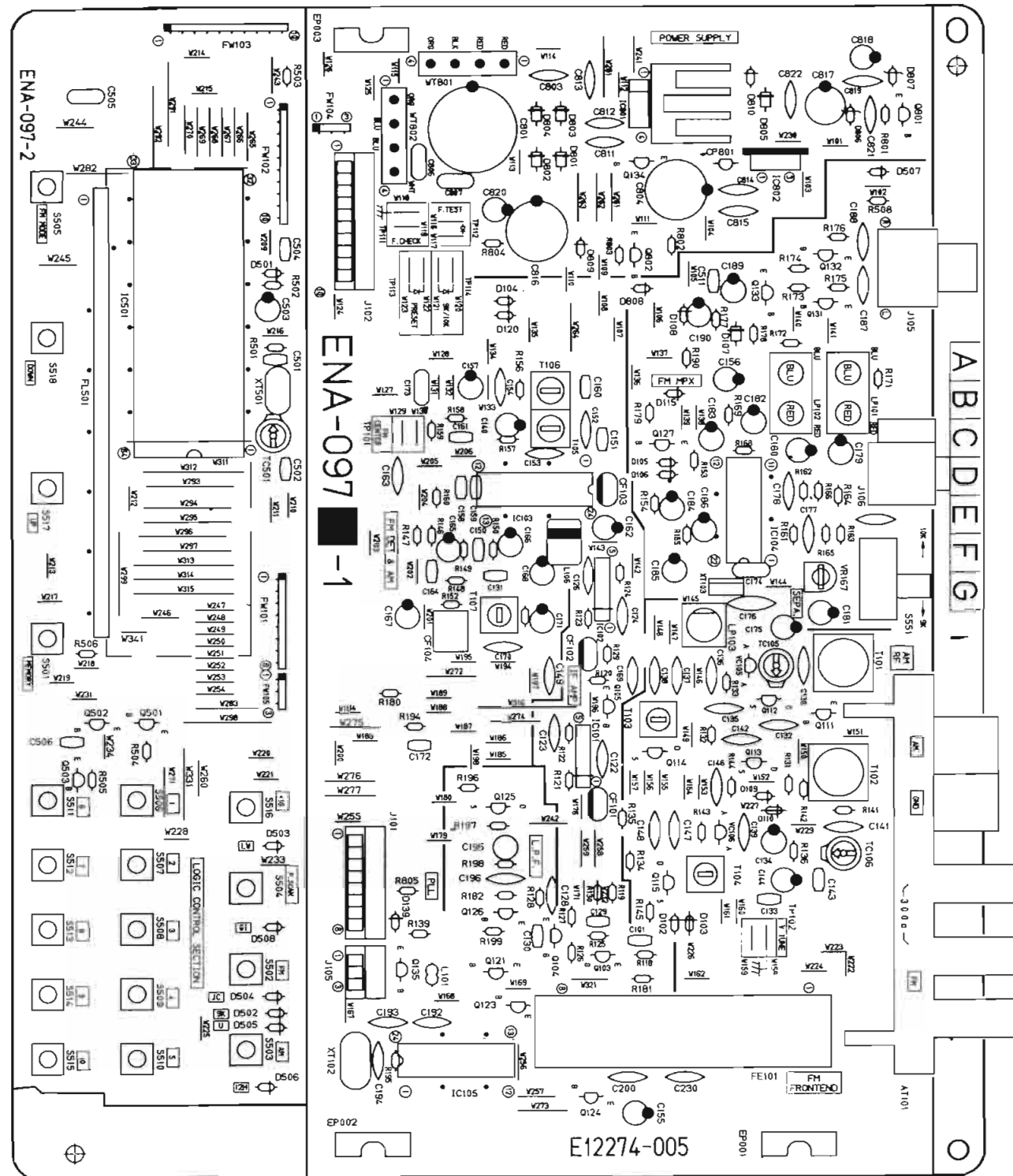
■ Exploded View



Printed Circuit Board Ass'y and Parts List

■ ENA-097 □ Tuner PC Board Ass'y

Note : ENA-097 □ varies according to the areas employed. See note (1) when placing an order.



Note (1)

PC Board Ass'y	Designated Areas
ENA-097 <input type="checkbox"/> <input checked="" type="checkbox"/>	Continental Europe (with LW)
ENA-097 <input type="checkbox"/> <input type="checkbox"/> <input checked="" type="checkbox"/>	Germany (with LW)

Transistors

ITEM	PART NUMBER	DESCRIPTION	AREA
Q103	2SC461(C)	SILICON HITACHI	
Q111	2SD1302(S,T)	SILICON MATSUSHITA	
Q112	2SK301(Q,R)	F.E.T MATSUSHITA	
Q113	2SK301(Q,R)	F.E.T MATSUSHITA	
Q114	2SK301(P,Q)	F.E.T MATSUSHITA	
Q115	2SK301(P,Q)	F.E.T MATSUSHITA	
Q121	AN1L4M	SILICON NEC	
Q123	AN1L4M	SILICON NEC	
Q124	AN1L4M	SILICON NEC	
Q125	2SK301(Q2)	F.E.T MATSUSHITA	
Q126	2SC1685(Q-S)	SILICON	
Q127	AA1L4M	SILICON NEC	
Q131	2SD1302(S,T)	SILICON MATSUSHITA	
Q132	2SD1302(S,T)	SILICON MATSUSHITA	
Q133	2SA564A(R,S)	SILICON MATSUSHITA	
Q134	AA1L4M	SILICON NEC	
Q135	AA1L4M	SILICON NEC	
Q501	AN1A4P	SILICON NEC	
Q502	AA1L4M	SILICON NEC	
Q503	2SC1685(R,S)	SILICON MATSUSHITA	
Q801	2SB621(Q,R,S)	SILICON MATSUSHITA	
Q802	2SC1685(R,S)	SILICON MATSUSHITA	

△ SAFETY PARTS

I.C.s

ITEM	PART NUMBER	DESCRIPTION	AREA
IC101	BA401	I.C. ROHM	
IC102	BA401	I.C. ROHM	
IC103	LA1266A	I.C. SANYO	
IC104	LA3401	I.C. SANYO	
IC105	LC7218	I.C. SANYO	
IC501	LC6538D-4684	I.C. SANYO	
IC801	AN7812R	I.C. MATSUSHITA	
IC802	AN78M06	I.C. MATSUSHITA	

△ SAFETY PARTS

Diodes

ITEM	PART NUMBER	DESCRIPTION	AREA
D102	1S5133	SILICON ROHM	
D103	1S5133	SILICON ROHM	
D104	1S5133	SILICON ROHM	
D105	1S5133	SILICON ROHM	
D106	1S5133	SILICON ROHM	
D107	1SR139-200	SILICON ROHM	
D108	1S5133	SILICON ROHM	
D109	1S5133	SILICON ROHM	
D110	1S5133	SILICON ROHM	
D115	1S5133	SILICON ROHM	
D120	1S5133	SILICON ROHM	
D139	1S5133	SILICON ROHM	
D501	1S5133	SILICON ROHM	
D502	1S5133	SILICON ROHM	
D801	1SR139-200	SILICON ROHM	
D802	1SR139-200	SILICON ROHM	
D803	1SR139-200	SILICON ROHM	
D804	1SR139-200	SILICON ROHM	
D805	1SR139-200	SILICON ROHM	
D806	RD30JSB3	ZENER NEC	
D807	RD6.8JSB3	ZENER NEC	
D808	1S5133	SILICON ROHM	
D809	1S5133	SILICON ROHM	
D810	1S5133	SILICON ROHM	
VC105	SVC342(L)	VARICAP SANYO	
VC106	SVC342(L)	VARICAP SANYO	

△ SAFETY PARTS

Capacitors

ITEM	PART NUMBER	DESCRIPTION	AREA
C101	QCHB1EZ-223	0.022MF 25V CERAMIC	
C122	QCF21HP-223	0.022MF 50V CERAMIC	
C123	QCF21HP-223	0.022MF 50V CERAMIC	
C124	QCF21HP-223	0.022MF 50V CERAMIC	
C126	QCF21HP-223	0.022MF 50V CERAMIC	
C131	QCHB1EZ-223	0.022MF 25V CERAMIC	
C132	QCS21HJ-561	560PF 50V CERAMIC	
C133	QCHB1EZ-223	0.022MF 25V CERAMIC	
C134	QETB1EM-106	10MF 25V ELECTRO	
C135	QCC21EM-223	0.022MF 25V CERAMIC	
C136	QCT26CH-180	18PF 50V CERAMIC	
C137	QCT26CH-221	220PF 50V CERAMIC	
C138	QCT26CH-241	240PF 50V CERAMIC	
C139	QCC21EM-223	0.022MF 25V CERAMIC	
C141	QCS21HJ-270	27PF 50V CERAMIC	
C142	QCY21HK-272	2700PF 50V CERAMIC	
C143	QCHB1EZ-223	0.022MF 25V CERAMIC	
C144	QETB1EM-106	10MF 25V ELECTRO	
C146	QCT26CH-680	68PF 50V CERAMIC	
C147	QCT26CH-220	22PF 50V CERAMIC	
C148	QCT26CH-121	120PF 50V CERAMIC	
C149	QCF21HP-223	0.022MF 50V CERAMIC	
C150	QCHB1EZ-223	0.022MF 25V CERAMIC	
C151	QCHB1EZ-223	0.022MF 25V CERAMIC	
C152	QCF21HP-223	0.022MF 50V CERAMIC	
C153	QCC21EM-223	0.022MF 25V CERAMIC	
C154	QCF21HP-223	0.022MF 50V CERAMIC	
C155	QETB1EM-226	22MF 25V ELECTRO	
C157	QETB1HM-474	0.47MF 50V ELECTRO	
C158	QCB81HK-101	100PF 50V CERAMIC	
C159	QCB81HK-101	100PF 50V CERAMIC	
C160	QCB81HK-221	220PF 50V CERAMIC	
C161	QCHB1EZ-223	0.022MF 25V CERAMIC	
C162	QETB1EM-106	10MF 25V ELECTRO	
C163	QFN81HJ-332	3300PF 50V MYLAR	
C164	QCHB1EZ-223	0.022MF 25V CERAMIC	
C165	QETB1HM-474	0.47MF 50V ELECTRO	
C166	QETB1HM-225	2.2MF 50V ELECTRO	
C167	QETB1HM-225	2.2MF 50V ELECTRO	
C168	QETB1HM-475	4.7MF 50V ELECTRO	
C169	QCF21HP-223	0.022MF 50V CERAMIC	
C170	QCF21HP-223	0.022MF 50V CERAMIC	
C171	QETB1EM-106	10MF 25V ELECTRO	
C172	QCVB1CM-103	0.01MF 16V CERAMIC	
C173	QFN81HK-223	0.022MF 50V MYLAR	
C174	QFN81HK-473	0.047MF 50V MYLAR	
C175	QETB1EM-106	10MF 25V ELECTRO	
C176	QCY21HK-102	1000PF 50V CERAMIC	
C177	QCS21HJ-271	270PF 50V CERAMIC	
C178	QCS21HJ-271	270PF 50V CERAMIC	
C179	QETB1HM-225	2.2MF 50V ELECTRO	
C180	QETB1HM-225	2.2MF 50V ELECTRO	
C181	QETB1EM-106	10MF 25V ELECTRO	
C182	QETB1HM-225	2.2MF 50V ELECTRO	
C183	QETB1HM-105	1MF 50V ELECTRO	
C184	QETB1HM-105	1MF 50V ELECTRO	
C185	QETB1HM-225	2.2MF 50V ELECTRO	
C186	QETB1HM-474	0.47MF 50V ELECTRO	
C187	QCS21HJ-331	330PF 50V CERAMIC	
C188	QCS21HJ-331	330PF 50V CERAMIC	
C189	QETB1HM-226	22MF 50V ELECTRO	
C190	QETB1HM-475	4.7MF 50V ELECTRO	
C192	QCC21EM-473	0.047MF 25V CERAMIC	
C193	QCS21HJ-180	18PF 50V CERAMIC	
C194	QCS21HJ-180	18PF 50V CERAMIC	
C195	QEN51HM-474	0.47MF 50V NON POLE	
C196	QCY21HK-102	1000PF 50V CERAMIC	
C200	QCF21HP-103	0.01MF 50V CERAMIC	
C230	QCF21HP-103	0.01MF 50V CERAMIC	
C501	QCT30CH-8R2	8.2PF 50V CERAMIC	
C502	QCT30CH-3R9	3.9PF 50V CERAMIC	
C503	QEK51CM-107	100MF 16V ELECTRO	
C504	QCHB1EZ-223	0.022MF 25V CERAMIC	
C505	QCC20205-155	1.5MF 25V CERAMIC	
C506	QCVB1CM-332	3300PF 16V CERAMIC	
C511	QCG81HK-102	1000PF 50V CERAMIC	
C801	QETB1VM-228N	2200MF 35V ELECTRO	
C803	QCF21HP-103	0.01MF 50V CERAMIC	
C804	QETB1EM-108	1000MF 25V ELECTRO	
C806	QFV81HJ-104	0.1MF 50V T.FILM	
C807	QFV81HJ-104	0.1MF 50V T.FILM	
C811	QCF21HP-223	0.022MF 50V CERAMIC	
C812	QCF21HP-223	0.022MF 50V CERAMIC	
C813	QCF21HP-223	0.022MF 50V CERAMIC	
C814	QCF21HP-223	0.022MF 50V CERAMIC	
C815	QCF21HP-223	0.022MF 50V CERAMIC	
C816	EEZ0503-479	47000MF ELECTRO	
C817	QETB1HM-107	100MF 50V ELECTRO	
C818	QETB1HM-226	22MF 50V ELECTRO	
C819	QCF21HP-223	0.022MF 50V CERAMIC	
C820	QETB1HM-106	10MF 50V ELECTRO	
C821	QCF21HP-223	0.022MF 50V CERAMIC	

△ SAFETY PARTS

Diodes

△	ITEM	PART NUMBER	DESCRIPTION	AREA
	D551	SLR-331DU3F	L.E.D. ROHM	
	D552	SLH-34VC3F	L.E.D. ROHM	
	D851	1SS133	SILICON ROHM	

△ SAFETY PARTS

Capacitors

△	ITEM	PART NUMBER	DESCRIPTION	AREA
	C901	QC29050-472A	4700PF CERAMIC	

△ SAFETY PARTS

Resistors

△	ITEM	PART NUMBER	DESCRIPTION	AREA
	R552	QRD167J-223	22K 1/6W CARBON	
	R553	QRD167J-103	10K 1/6W CARBON	
	R560	QRD167J-271	270 1/6W CARBON	
	R561	QRD167J-331	330 1/6W CARBON	
	R562	QRD167J-103	10K 1/6W CARBON	

△ SAFETY PARTS

Others

△	ITEM	PART NUMBER	DESCRIPTION	AREA
		E12273-003	CIRCUIT BOARD	
	J103	EMV7112-010	CONNECTOR (10PIN)	
	J104	EMV7112-003	CONNECTOR (3PIN)	
	S551	ESP0001-018	TACT SWITCH (POWER)	
	S552	ESP0001-018	TACT SWITCH (TIMER1)	
	S553	ESP0001-018	TACT SWITCH (TIMER2)	
	S554	ESP0001-018	TACT SWITCH (WAKE UP/SLEEP)	
	S555	ESP0001-018	TACT SWITCH (AUTO MEMORY)	
	S556	ESP0001-018	TACT SWITCH (DISPALY)	
	S557	ESP0001-018	TACT SWITCH (CANCEL)	
	S558	ESP0001-018	TACT SWITCH (CLK ADJ)	
	KT901	E65508-002	TAB	
	KT902	E65508-002	TAB	
	RY901	ESK1D12-113	RELAY	
	WT901	E67764-203	WRAPPING TERMINAL	
	WT902	E67764-202	WRAPPING TERMINAL	
	WT903	E67764-202	WRAPPING TERMINAL	
	WT904	E67764-202	WRAPPING TERMINAL	

△ SAFETY PARTS

Accessories List

△	Part Number	Part Name	Q'ty	Description	Areas
	E30580-1716A	Instruction Book	1		
	BT-20117	Warranty Card	1		
	EWP502-001	Built in Antenna	1		LG
	E67007-001	Wire Antenna	1		LG
△	EMZ2001-011	Adapter	1		LE, LEF
	QZL1008-001	FTZ Information Sheet	1		LG
	EWP302-011	Signal Cord	1		
	EWP805-001	1P Plug Cord	1		
	EQB4001-015	AM Loop Antenna	1		
	QPGA025-03505	Envelope	1		

The Marks for Designated Areas

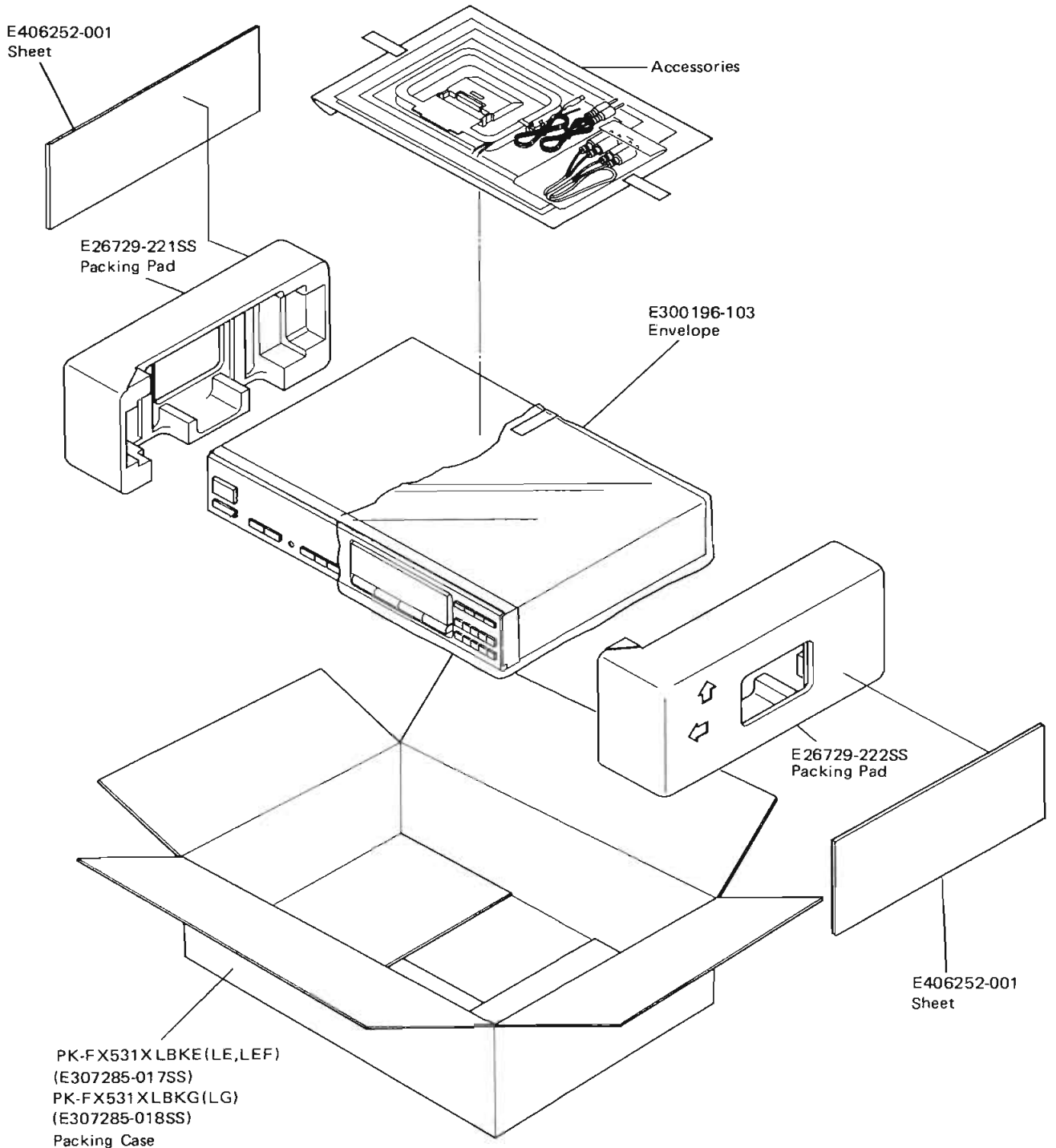
LE,LEF.....Continental Europe (with LW)

LG.....Germany (with LW)

No mark indicates all areas.

△ Safety Parts

Packing Materials and Part Numbers

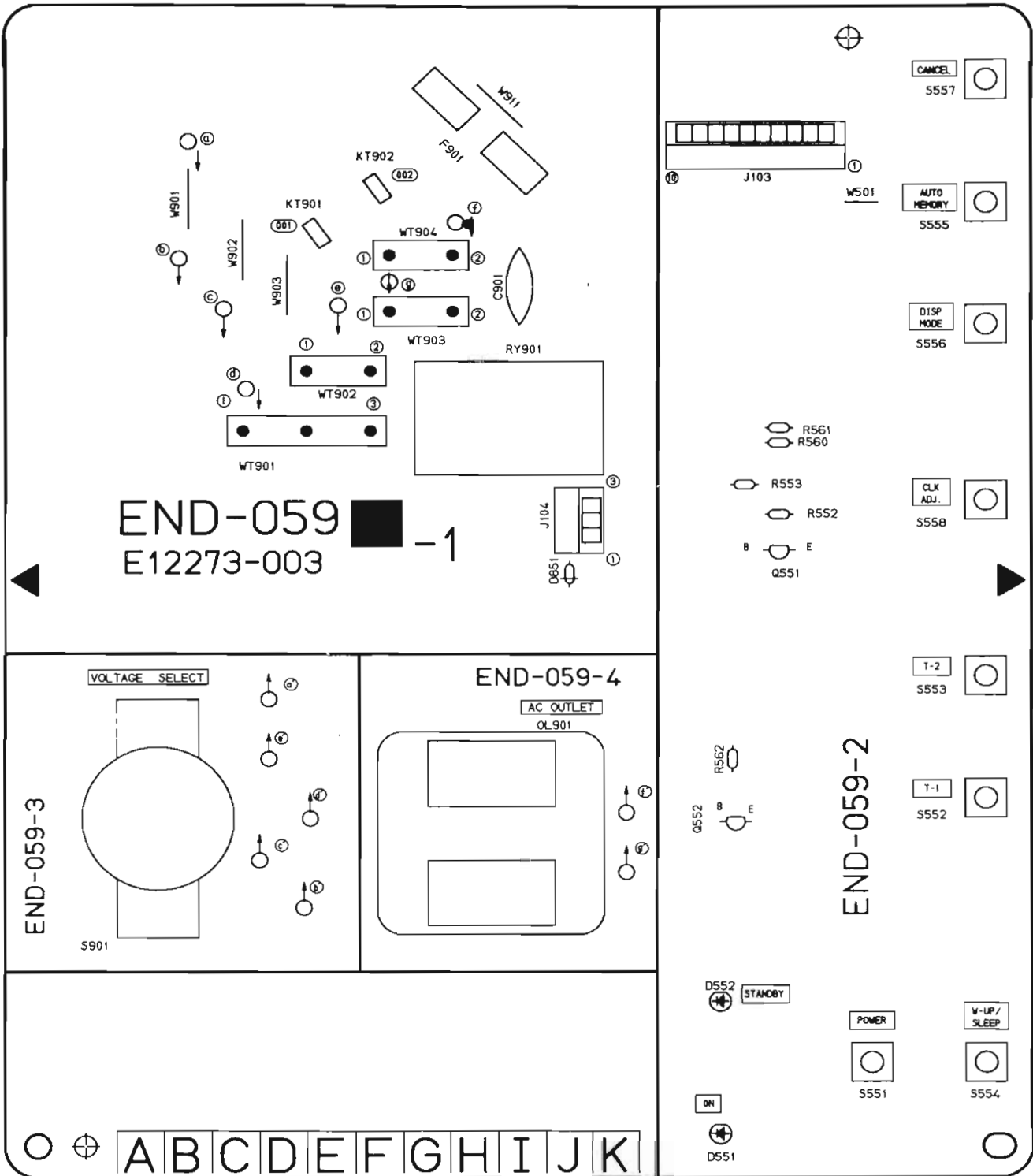


The Marks for Designated Areas

LE,LEF	Continental Europe (with LW)
LG	Germany (with LW)
No mark indicates all areas.	

■ END-059 □ Power Primary & Front Switch PC Board Ass'y

Note : END-059 □ varies according to the areas employed. See note (1) when placing an order.



Note (1)

PC Board Ass'y	Designated Areas
END-059 D	Continental Europe (with LW)
END-059 F	Germany (with LW)

Transistors

Δ	ITEM	PART NUMBER	DESCRIPTION	AREA
	Q551	2SC1685(R,S)	SILICON MATSUSHITA	
	Q552	2SA564A(R,S)	SILICON MATSUSHITA	

A IS A P R I V I L E G E

Resistors

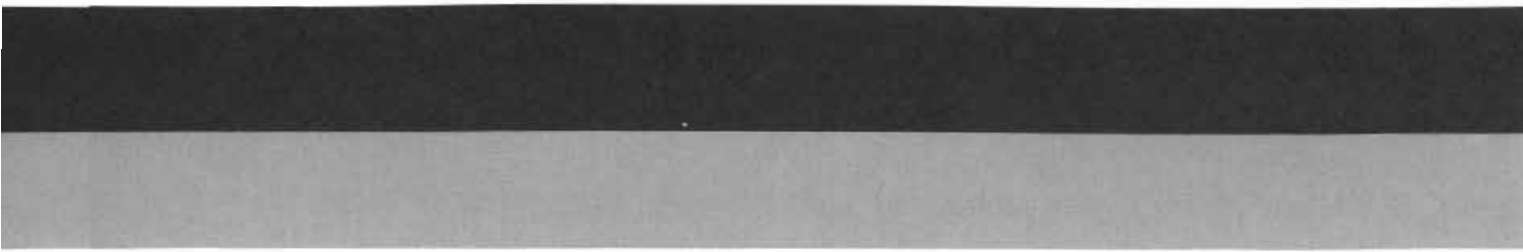
Δ	ITEM	PART NUMBER	DESCRIPTION			AREA
	R118	QRD167J-332	3.3K	1/6W	CARBON	
	R119	QRD167J-221	220	1/6W	CARBON	
	R121	QRD167J-331	330	1/6W	CARBON	
	R122	QRD167J-331	330	1/6W	CARBON	
	R123	QRD167J-331	330	1/6W	CARBON	
	R124	QRD167J-331	330	1/6W	CARBON	
	R131	QRD167J-331	330	1/6W	CARBON	
	R132	QRD167J-103	10K	1/6W	CARBON	
	R133	QRD167J-473	47K	1/6W	CARBON	
	R134	QRD167J-103	10K	1/6W	CARBON	
	R135	QRD167J-470	47	1/6W	CARBON	
	R136	QRD167J-103	10K	1/6W	CARBON	
	R139	QRD167J-103	10K	1/6W	CARBON	
	R141	QRD167J-472	4.7K	1/6W	CARBON	
	R142	QRD167J-331	330	1/6W	CARBON	
	R143	QRD167J-103	10K	1/6W	CARBON	
	R144	QRD167J-473	47K	1/6W	CARBON	
	R145	QRD167J-103	10K	1/6W	CARBON	
	R146	QRD167J-560	56	1/6W	CARBON	
	R147	QRD167J-103	10K	1/6W	CARBON	
	R148	QRD167J-103	10K	1/6W	CARBON	
	R149	QRD167J-223	22K	1/6W	CARBON	
	R150	QRD167J-103	10K	1/6W	CARBON	
	R152	QRD167J-222	2.2K	1/6W	CARBON	
	R153	QRD167J-103	10K	1/6W	CARBON	
	R154	QRD167J-103	10K	1/6W	CARBON	
	R155	QRD167J-562	5.6K	1/6W	CARBON	
	R156	QRD167J-822	8.2K	1/6W	CARBON	
	R157	QRD167J-103	10K	1/6W	CARBON	
	R158	QRD167J-273	27K	1/6W	CARBON	
	R159	QRD167J-561	560	1/6W	CARBON	
	R160	QRD167J-273	27K	1/6W	CARBON	
	R161	QRD167J-184	180K	1/6W	CARBON	
	R162	QRD167J-184	180K	1/6W	CARBON	
	R163	QRD167J-332	3.3K	1/6W	CARBON	
	R164	QRD167J-332	3.3K	1/6W	CARBON	
	R165	QRD167J-274	270K	1/6W	CARBON	
	R166	QRD167J-274	270K	1/6W	CARBON	
	R168	QRD167J-103	10K	1/6W	CARBON	
	R169	QRD167J-103	10K	1/6W	CARBON	
	R171	QRD167J-682	6.8K	1/6W	CARBON	
	R172	QRD167J-682	6.8K	1/6W	CARBON	
	R173	QRD167J-103	10K	1/6W	CARBON	
	R174	QRD167J-103	10K	1/6W	CARBON	
	R175	QRD167J-101	100	1/6W	CARBON	
	R176	QRD167J-101	100	1/6W	CARBON	
	R177	QRD167J-104	100K	1/6W	CARBON	
	R178	QRD167J-104	100K	1/6W	CARBON	
	R179	QRD167J-562	5.6K	1/6W	CARBON	
	R180	QRD167J-472	4.7K	1/6W	CARBON	
	R181	QRD167J-222	2.2K	1/6W	CARBON	
	R182	QRD167J-181	180	1/6W	CARBON	
	R190	QRD167J-472	4.7K	1/6W	CARBON	
	R194	QRD167J-472	4.7K	1/6W	CARBON	
	R195	QRD167J-473	47K	1/6W	CARBON	
	R196	QRD167J-222	2.2K	1/6W	CARBON	
	R197	QRD167J-222	2.2K	1/6W	CARBON	
	R198	QRD167J-822	8.2K	1/6W	CARBON	
	R199	QRD167J-472	4.7K	1/6W	CARBON	
	R501	QRD167J-473	47K	1/6W	CARBON	
	R502	QRD167J-473	47K	1/6W	CARBON	
	R503	QRD167J-472	4.7K	1/6W	CARBON	
	R504	QRD167J-473	47K	1/6W	CARBON	
	R505	QRD167J-333	33K	1/6W	CARBON	
	R506	QRD167J-103	10K	1/6W	CARBON	
	R508	QRD167J-101	100	1/6W	CARBON	
	R801	QRD167J-332	3.3K	1/6W	CARBON	
	R802	QRD167J-223	22K	1/6W	CARBON	
	R803	QRD167J-822	8.2K	1/6W	CARBON	
	R804	QRD167J-221	220	1/6W	CARBON	
	R805	QRD167J-103	10K	1/6W	CARBON	
	VR167	GVPE601-104	100K	0.15W	VARIABLE	

Δ : SAFETY PARTS

Others

Δ	ITEM	PART NUMBER	DESCRIPTION			AREA
		E12274-005	CIRCUIT BOARD			
		E48269-001	SPACER			
		SBSB3008Z	SCREW			
	H801	E75084-H30B	HEAT SINK			
	J101	EMV7112-008	CONNECTOR (8PIN)			
	J102	EMV7112-010	CONNECTOR (10PIN)			
	J105	EMV7112-003	CONNECTOR (3PIN)			
	J106	QMS3501-021	MINI JACK (COMPLINK)			
	J107	EMN00TV-212A	2P PIN JACK (OUT PUT)			
	L101	EQL4004-1R0	INDUCTOR			
	L106	EQL3001-102K	INDUCTOR			
	S501	ESP0001-018	TACT SWITCH (MEMORY)			
	S502	ESP0001-018	TACT SWITCH (PM)			
	S503	ESP0001-018	TACT SWITCH (AM)			
	S504	ESP0001-018	TACT SWITCH (P SCAN)			
	S505	ESP0001-018	TACT SWITCH (PM MODE)			
	S506	ESP0001-018	TACT SWITCH (1)			
	S507	ESP0001-018	TACT SWITCH (2)			
	S508	ESP0001-018	TACT SWITCH (3)			
	S509	ESP0001-018	TACT SWITCH (4)			
	S510	ESP0001-018	TACT SWITCH (5)			
	S511	ESP0001-018	TACT SWITCH (6)			
	S512	ESP0001-018	TACT SWITCH (7)			
	S513	ESP0001-018	TACT SWITCH (8)			
	S514	ESP0001-018	TACT SWITCH (9)			
	S515	ESP0001-018	TACT SWITCH (10)			
	S516	ESP0001-018	TACT SWITCH (+10)			
	S517	ESP0001-018	TACT SWITCH (UP)			
	S518	ESP0001-018	TACT SWITCH (DOWN)			
	T101	EQR1111-014	AM RF COIL			
	T102	EQR1111-005	AM RF COIL			
	T103	EQR1207-015	MW OSC COIL			
	T104	EQR1307-009	LW OSC COIL			
	T105	EQT2140-012	I.F. TRANSFORMER			
	T106	EQT2140-013	I.F. TRANSFORMER			
	T107	EQT1021-001	I.F. TRANSFORMER			
	AT101	EMB41YV-301K	ANTENNA TERMINAL			
	CF101	ECB2123-002R	CERAMIC FILTER			
	CF102	ECB2123-002R	CERAMIC FILTER			
	CF103	ECB2123-002R	CERAMIC FILTER			
	CF104	ECB1117-001	CERAMIC FILTER			
	CP801	ICP-N15	I.C. PROTECTOR			
	EP001	E70859-001	EARTH PLATE			
	EP002	E70859-001	EARTH PLATE			
	FE101	EAF2203-003	FRONT END			
	FH501	E306790-001SS	BAND HOLDER			
	FL501	ELU0001-099	FL TUBE			
	FS501	E75933-001	SPACER			
	FS502	E75933-001	SPACER			
	FW101	EWR38B-25KST	FLAT WIRE (8PIN)			
	FW102	EWR3AB-20KST	FLAT WIRE (10PIN)			
	FW103	EWR3AB-08KST	FLAT WIRE (10PIN)			
	FW104	EWR33B-08KST	FLAT WIRE (8PIN)			
	FW105	EWR33B-25KST	FLAT WIRE (8PIN)			
	LP101	EQF0101-006	LOW PASS FILTER			
	LP102	EQF0101-006	LOW PASS FILTER			
	LP103	EQF0102-001	LOW PASS FILTER			
	TC105	ENZ1003-006	TRIMMER			
	TC106	ENZ1003-006	TRIMMER			
	TC501	ENZ1003-009	TRIMMER			
	WT801	E67764-004	WRAPPING TERMINAL			
	WT802	E67764-004	WRAPPING TERMINAL			
	XT102	ECX0007-200KC	RESONATOR			
	XT103	ECX0000-456KR	RESONATOR			
	XT501	ECX4194-304CF	RESONATOR			

Δ : SAFETY PARTS



JVC

VICTOR COMPANY OF JAPAN, LIMITED

AUDIO PRODUCTS DIVISION, 1644, SHIMOTSURUMA, YAMATO-SHI, KANAGAWA-KEN, 242, JAPAN